

NOTES

1. 一般公差: ±0.5
GENERAL TOLERANCES: ±0.5
2. 反り: 2MAX.
WARP: 2MAX.
3. 1トレイの梱包数: 60個
QUANTITY IN ONE TRAY: 60 PCS.
4. 標準梱包数: 300個
STANDARD PACKAGING QUANTITY: 300 PCS.
5. トレイは、180° 反転させ交互に重ねる。
TRAYS SHOULD BE PILED ALTERNATELY.

500254-1941
500254-1931
適用製品番号 APPLICABLE PART No.

MATERIAL

POLYSTYRENE SHEET (t=1.0)
WHITE

REVISED ECNO: J2005-1358 DRAWN: KTOYODA 2004/11/30 CHKD: NUKITA 2004/11/30 APPR: NUKITA 2004/12/06	GENERAL TOLERANCES (UNLESS SPECIFIED)		DIMENSION STYLE MM ONLY		SCALE 2:1	DESIGN UNITS METRIC	THIRD ANGLE PROJECTION
	10 UNDER	± ---	DRAWN BY T. HARUYAMA	DATE '04/02/25	TITLE TRAY FOR HDMI CONN. R/A WITH FLANGE -LEAD FREE-		
	10 OVER 30 UNDER	± ---	CHECKED BY M. ENOMOTO	DATE '04/02/25	MOLEX INCORPORATED		
	30 OVER	± ---	APPROVED BY M. ENOMOTO	DATE '04/02/25	MATERIAL NO. 59410-0097	DOCUMENT NO. SD-500254-004	SHEET NO. 1 OF 1
ANGULAR ± --- °		DRAFT WHERE APPLICABLE MUST REMAIN WITHIN DIMENSIONS		THIS DRAWING CONTAINS INFORMATION THAT IS PROPRIETARY TO MOLEX INCORPORATED AND SHOULD NOT BE USED WITHOUT WRITTEN PERMISSION			

10 9 8 7 6 5 4 3 2 1

F

E

D

C

B

A

F

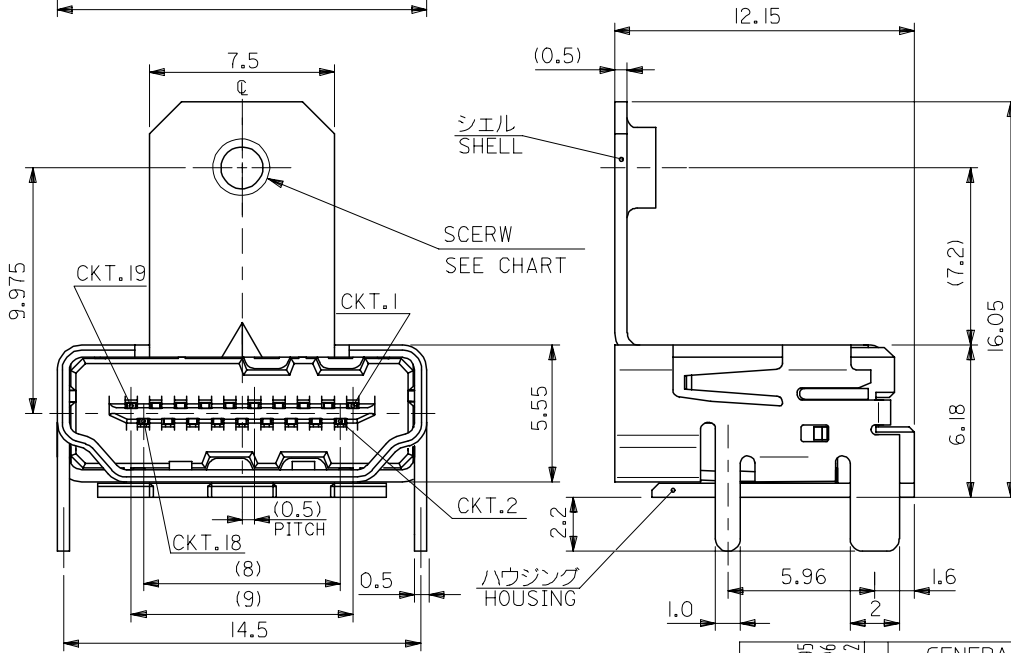
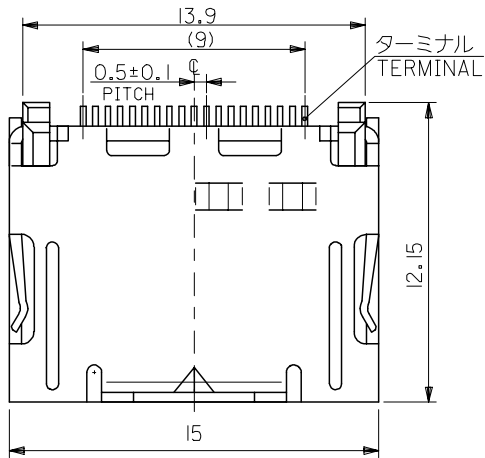
E

D

C

B

A



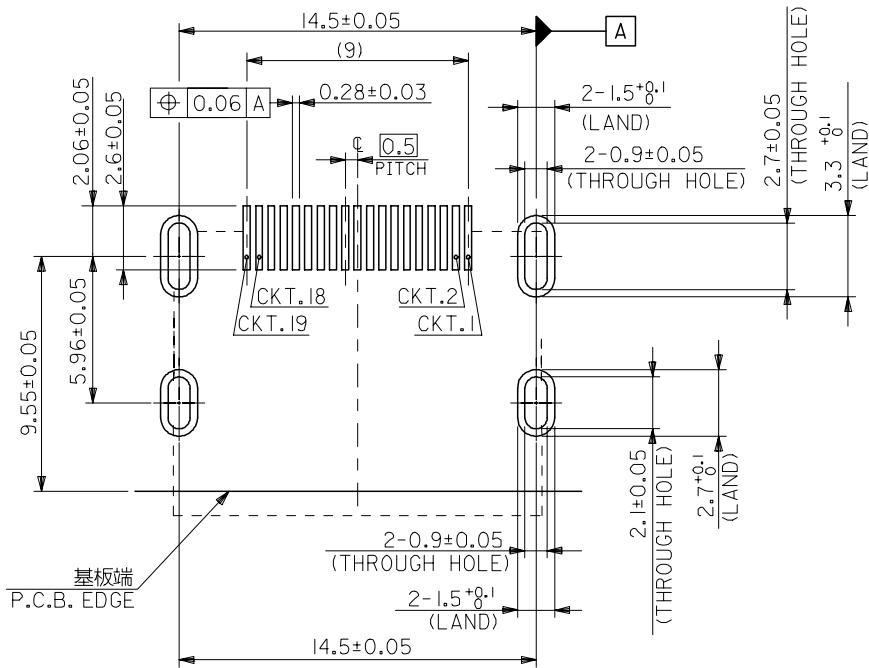
- 注記 1. 材質 MATERIAL
 NOTE ハウジング: ガラス入り耐熱樹脂 HOUSING GLASS FULLED HEAT-RESISTED RESIN, UL94V-0
 ターミナル: 銅合金 TERMINAL COPPER ALLOY
 シェル: 銅合金 SHELL COPPER ALLOY
2. めっき仕様 PLATING
 ターミナル: <接点部>金めっき 0.76マイクロメートル以上 TERMINAL <CONTACT AREA> GOLD(Au) 0.76 MICROMETER MINIMUM.
 <半田付け部>錫めっき 1.0マイクロメートル以上 <SOLDER TAIL AREA> TIN(Sn) 1.0 MICROMETER MINIMUM.
 <下地>ニッケルめっき 2マイクロメートル以上 <UNDER-PLATING> NICKEL(Ni) 2 MICROMETER MINIMUM.
- シェル: 錫めっき 1.0マイクロメートル以上 SHELL TIN(Sn) 1.0 MICROMETER MINIMUM.
 下地ニッケルめっき 1.27マイクロメートル以上 UNDER-PLATING NICKEL (Ni) 1.27 MICROMETER MINIMUM.
3. ネジ締めトルク SCREWING TORQUE

	推奨ネジ締めトルク RECOMMENDED SCREWING TORQUE	最大許容ネジ締めトルク TORQUE LIMIT
500254-1931	0.343N-m {3.5kgf-cm} MAXIMUM.	0.392N-m {4.0kgf-cm} MAXIMUM.
500254-1941	0.294N-m {3.0kgf-cm} MAXIMUM.	0.343N-m {3.5kgf-cm} MAXIMUM.

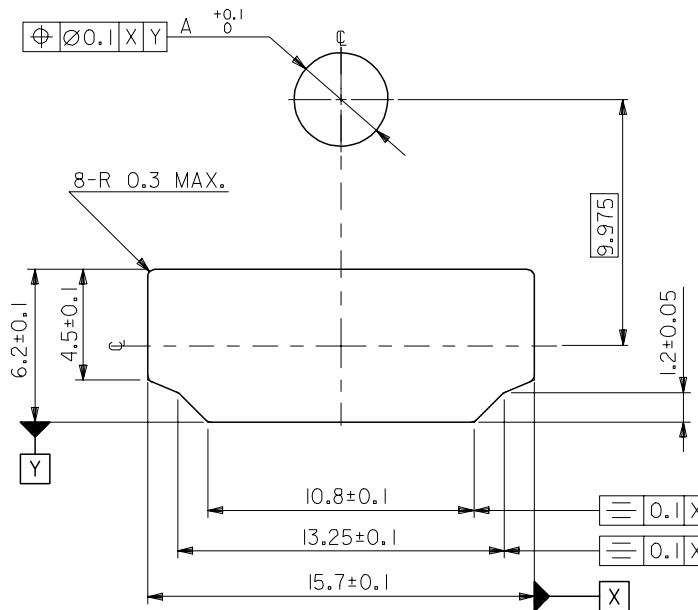
4. テール部の平坦度: 0.1 MAXIMUM.
 COPLANALITY OF TAIL: 0.1 MAXIMUM.

No.4-40UNC	500254-1941	19
M3x0.5	500254-1931	
SCERW	TRAY PACKAGING MATERIAL NO.	CURCUITS

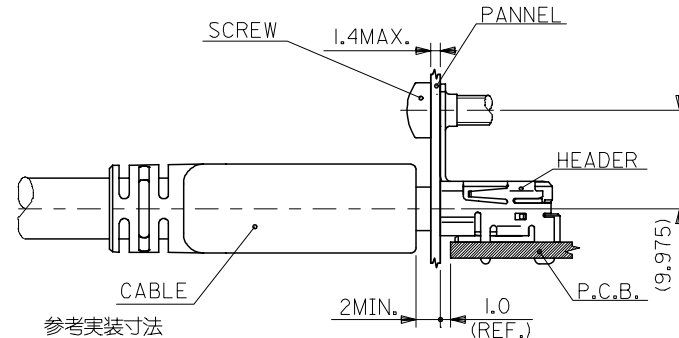
REVISED EC NO: J2006-0032 DRWN: NABE 2005/07/05 CHKD: KTOYODA 2005/07/06 APPR: NUKITA 2005/07/12	GENERAL TOLERANCES (UNLESS SPECIFIED)		DIMENSION STYLE MM ONLY		SCALE 5:1	DESIGN UNITS METRIC	THIRD ANGLE PROJECTION	
	10 UNDER	±0.2	DRAWN BY K. TOYODA	DATE '04/03/26	TITLE HDMI RIGHT ANGLE HEADER ASSY WITH FLANGE -LEAD FREE- MOLEX INCORPORATED			
	10 OVER 30 UNDER	±0.25	CHECKED BY K. ASAKAWA	DATE '04/03/26				
	30 OVER	±0.3	APPROVED BY S. ICHIKAWA	DATE '04/03/26				
ANGULAR	±3 °	MATERIAL NO. SEE CHART		DOCUMENT NO. SD-500254-006	SHEET NO. 1 OF 2			
DRAFT WHERE APPLICABLE MUST REMAIN WITHIN DIMENSIONS		SIZE A3		THIS DRAWING CONTAINS INFORMATION THAT IS PROPRIETARY TO MOLEX INCORPORATED AND SHOULD NOT BE USED WITHOUT WRITTEN PERMISSION				



推奨基板寸法
RECOMMENDED P.C.B. PATTERN LAYOUT (+/-1.6±0.15)
 (COMPONENT SIDE)



参考パネル寸法
REFERENCE PANEL CUT OUT DIMENSION.



参考実装寸法
REFERENCE MOUNT DIMENSION.
 (SCALE 2:1)

3.45	500254-1941
3.6	500254-1931
"A"	TRAY PACKAGE

REVISED EC NO: J2006-0032 DRW: NABEI 2005/07/05 CHK: KATOYODA 2005/07/06 APP: NUKITA 2005/07/12	GENERAL TOLERANCES (UNLESS SPECIFIED)		DIMENSION STYLE MM ONLY		SCALE 5:1	DESIGN UNITS METRIC	THIRD ANGLE PROJECTION	
	10 UNDER ±0.2 10 OVER 30 UNDER ±0.25 30 OVER ±0.3	ANGULAR ±3 °	DRAFT WHERE APPLICABLE MUST REMAIN WITHIN DIMENSIONS	DRAWN BY K. TOYODA DATE '04/03/26	CHECKED BY K. ASAKAWA DATE '04/03/26	TITLE HDMI RIGHT ANGLE HEADER ASSY WITH FLANGE -LEAD FREE-		
	MATERIAL NO. SEE CHART			APPROVED BY S. ICHIKAWA DATE '04/03/26		MOLEX INCORPORATED		SHEET NO. 2 OF 2
	SIZE A3			DOCUMENT NO. SD-500254-006		THIS DRAWING CONTAINS INFORMATION THAT IS PROPRIETARY TO MOLEX INCORPORATED AND SHOULD NOT BE USED WITHOUT WRITTEN PERMISSION		